



**DESCRIPTION**

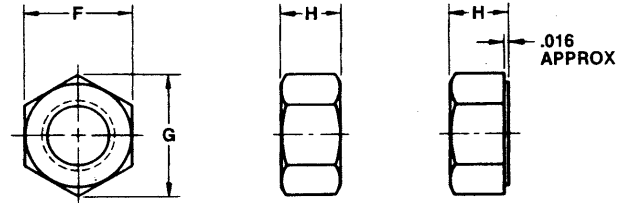
**PAGE**

**Nuts**

Hex Nuts (Finished) and Hex Nuts (Heavy)	4-1
Hexagon Machine Screw Nuts	4-2
Type A Forged Wing Nuts	4-3
Hex Slotted Nuts	4-4
Hex and Heavy Hex Jam Nuts	4-5 to 4-6
Hex Castle Nuts	4-7
Large Diameter Hexagon Head Cap Nuts	4-8
Round Spanner Nuts	4-9
Heavy Hex Nuts with Tommy Bar Holes	4-10



## HEX NUTS (FINISHED) HEAVY HEX NUTS

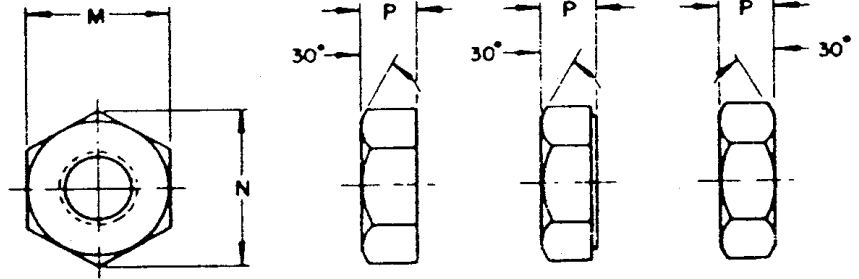


### Threads to Class 2B Tolerance

Nominal Size or Basic Major Diameter of Thread	Threads Per Inch		Hex Nuts (Finished)				Heavy Hex Nuts			
			Width Across Flats Nominal F	Width Across Corners Minimum G	Thickness H		Width Across Flats Nominal F	Width Across Corners Minimum G	Thickness H	
	UNC	UNF			Full	Jam			Full	Jam
1/4	20	28	7/16	.488	7/32	5/32	1/2	.556	15/64	11/64
5/16	18	24	1/2	.557	17/64	3/16	9/16	.622	19/64	13/64
3/8	16	24	9/16	.628	21/64	7/32	11/16	.763	23/64	15/64
7/16	14	20	11/16	.768	3/8	1/4	3/4	.830	27/64	17/64
1/2	13	20	3/4	.840	7/16	5/16	7/8	.969	31/64	19/64
9/16	12	18	7/8	.982	31/64	5/16	15/16	1.037	35/64	21/61
5/8	11	18	15/16	1.051	35/64	3/8	1-1/16	1.175	39/64	23/64
3/4	10	16	1-1/8	1.240	41/64	27/64	1-1/4	1.382	47/64	27/64
7/8	9	14	1-5/16	1.447	3/4	31/64	1-7/16	1.589	55/64	31/64
1	8	14NF	1-1/2	1.653	55/64	35/64	1-5/8	1.796	63/64	35/64
1-1/8	7	12	1-11/16	1.859	31/32	39/64	1-13/16	2.002	1-7/64	39/64
1-1/4	7	12	1-7/8	2.066	1-1/16	23/32	2	2.209	1-7/32	23/32
1-3/8	6	12	2-1/16	2.273	1-11/64	25/32	2-3/16	2.416	1-11/32	25/32
1-1/2	6	12	2-1/4	2.480	1-9/32	27/64	2-3/8	2.622	1-15/32	27/32
1-5/8	5-1/2	12	2-7/16	2.686	1-25/64	29/32	2-9/16	2.828	1-19/32	29/32
1-3/4	5	12	2-5/8	2.893	1-1/2	31/32	2-3/4	3.035	1-23/32	31/32
1-7/8	5	12	2-13/16	3.100	1-39/64	1-1/32	2-15/16	3.242	1-27/32	1-1/32
2	4-1/2	12	3	3.306	1-23/32	1-3/32	3-1/8	3.449	1-31/32	1-3/32
2-1/4	4-1/2	12	3-3/8	3.719	1-59/64	1-13/64	3-1/2	3.862	2-13/64	1-13/64
2-1/2	4	12	3-3/4	4.133	2-9/64	1-29/64	3-7/8	4.275	2-29/64	1-29/64
2-3/4	4	12	4-1/8	4.546	2-23/64	1-37/64	4-1/4	4.688	2-45/64	1-37/64
3	4	12	4-1/2	4.959	2-37/64	1-45/64	4-5/8	5.102	2-61/64	1-45/64
3-1/4	4						5	5.515	3-3/16	1-13/16
3-1/2	4						5-3/8	5.928	3-7/16	1-15/16
3-3/4	4						5/3/4	6.341	3-11/16	2-1/16
4	4						6-1/8	6.755	3-15/16	2-3/16
4-1/4	4						6-1/2	7-13/32		
4-1/2	4						6-7/8	7-53/64		
4-3/4	4						7-1/4	8-17/64		
5	4						7-5/8	8-11/16		
5-1/4	4						8	9-1/8		
5-1/2	4						8-3/8	9-35/64		
5-3/4	4						8-3/4	9-31/32		
6	4						9-1/8	10-13/32		



### HEXAGON MACHINE SCREW NUTS

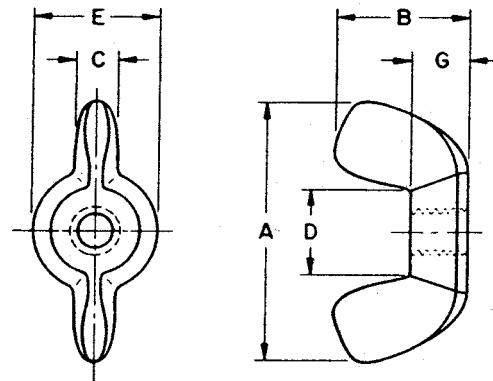


		N		P		
		Across Corners		Thickness		
Min	Max	Min	Nom	Max	Min	
.180	.217	.205	1/16	.066	.057	
.180	.217	.205	1/16	.066	.057	
.180	.217	.205	1/16	.066	.057	
.180	.217	.205	1/16	.066	.057	
.241	.289	.275	3/32	.098	.087	
.241	.289	.275	3/32	.098	.087	
.302	.361	.344	7/64	.114	.102	
.302	.361	.344	7/64	.114	.102	
.302	.361	.344	7/64	.114	.102	
.302	.361	.344	7/64	.114	.102	
.332	.397	.378	1/8	.130	.117	
.332	.397	.378	1/8	.130	.117	
.362	.433	.413	1/8	.130	.117	
.362	.433	.413	1/8	.130	.117	
.423	.505	.482	5/32	.161	.148	
.423	.505	.482	5/32	.161	.148	
.423	.505	.482	3/16	.193	.178	
.423	.505	.482	3/16	.193	.178	
.545	.650	.621	7/32	.225	.208	
.545	.650	.621	7/32	.225	.208	
.607	.722	.692	1/4	.257	.239	
.607	.722	.692	1/4	.257	.239	

Threads: Unified and American Standard Class 2B unless otherwise specified.



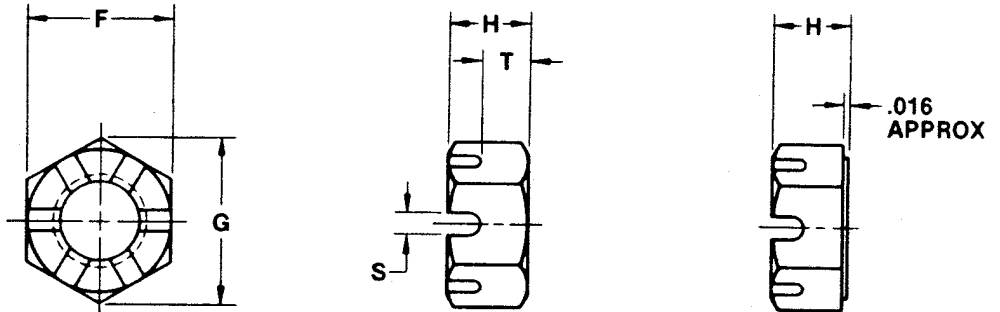
### TYPE A FORGED WING NUTS



Nominal Size or Basic Major Diameter of Thread <sup>2</sup>	Threads Per Inch	Series	Nut Blank Size (Ref)	A		B		C		D		E		G		
				Wing Spread		Wing Height		Wing Thickness		Between Wings		Boss Diameter		Boss Height		
				Max	Min	Max	Min	Max	Min	Max	Min	Max	Min	Max	Min	
3	0.0990	48 & 56	Heavy	AA	0.72	0.59	0.41	0.28	0.11	0.07	0.21	0.17	0.33	0.29	0.14	0.10
4	0.1120	40 & 48	Heavy	AA	0.72	0.59	0.41	0.28	0.11	0.07	0.21	0.17	0.33	0.29	0.14	0.10
5	0.1250	40 & 44	Light	AA	<b>0.72</b>	<b>0.59</b>	<b>0.41</b>	<b>0.28</b>	<b>0.11</b>	<b>0.07</b>	<b>0.21</b>	<b>0.17</b>	<b>0.33</b>	<b>0.29</b>	<b>0.14</b>	<b>0.10</b>
			Heavy	A	0.91	0.78	0.47	0.34	0.14	0.10	0.27	0.22	0.43	0.39	0.18	0.14
6	0.1380	32 & 40	Light	AA	0.72	0.59	0.41	0.28	0.11	0.07	0.21	0.17	0.33	0.29	0.14	0.10
			Heavy	A	<b>0.91</b>	<b>0.78</b>	<b>0.47</b>	<b>0.34</b>	<b>0.14</b>	<b>0.10</b>	<b>0.27</b>	<b>0.22</b>	<b>0.43</b>	<b>0.39</b>	<b>0.18</b>	<b>0.14</b>
8	0.1640	32 & 36	Light	A	<b>0.91</b>	<b>0.78</b>	<b>0.47</b>	<b>0.34</b>	<b>0.14</b>	<b>0.10</b>	<b>0.27</b>	<b>0.22</b>	<b>0.43</b>	<b>0.39</b>	<b>0.18</b>	<b>0.14</b>
			Heavy	B	1.10	0.97	0.57	0.43	0.18	0.14	0.33	0.26	0.50	0.45	0.22	0.17
10	0.1900	24 & 32	Light	A	<b>0.91</b>	<b>0.78</b>	<b>0.47</b>	<b>0.34</b>	<b>0.14</b>	<b>0.10</b>	<b>0.27</b>	<b>0.22</b>	<b>0.43</b>	<b>0.39</b>	<b>0.18</b>	<b>0.14</b>
			Heavy	B	1.10	0.97	0.57	0.43	0.18	0.14	0.33	0.26	0.50	0.45	0.22	0.17
12	0.2160	24 & 28	Light	B	<b>1.10</b>	<b>0.97</b>	<b>0.57</b>	<b>0.43</b>	<b>0.18</b>	<b>0.14</b>	<b>0.33</b>	<b>0.26</b>	<b>0.50</b>	<b>0.45</b>	<b>0.22</b>	<b>0.17</b>
			Heavy	C	1.25	1.12	0.66	0.53	0.21	0.17	0.39	0.32	0.58	0.51	0.25	0.20
1/4	0.250	20 & 28	Light	B	<b>1.10</b>	<b>0.97</b>	<b>0.57</b>	<b>0.43</b>	<b>0.18</b>	<b>0.14</b>	<b>0.39</b>	<b>0.26</b>	<b>0.50</b>	<b>0.45</b>	<b>0.22</b>	<b>0.17</b>
			Regular	C	1.25	1.12	0.66	0.53	0.21	0.17	0.39	0.32	0.58	0.51	0.25	0.20
			Heavy	D	1.44	1.31	0.79	0.65	0.24	0.20	0.48	0.42	0.70	0.64	0.30	0.26
5/16	0.3125	18 & 24	Light	C	<b>1.25</b>	<b>1.12</b>	<b>0.66</b>	<b>0.53</b>	<b>0.21</b>	<b>0.17</b>	<b>0.39</b>	<b>0.32</b>	<b>0.58</b>	<b>0.51</b>	<b>0.25</b>	<b>0.20</b>
			Regular	D	1.44	1.31	0.79	0.65	0.24	0.20	0.48	0.42	0.70	0.64	0.30	0.26
			Heavy	E	1.94	1.81	1.00	0.87	0.33	0.26	0.65	0.54	0.93	0.86	0.39	0.35
3/8	0.3750	16 & 24	Light	D	<b>1.44</b>	<b>1.31</b>	<b>0.79</b>	<b>0.65</b>	<b>0.24</b>	<b>0.20</b>	<b>0.48</b>	<b>0.42</b>	<b>0.70</b>	<b>0.64</b>	<b>0.30</b>	<b>0.26</b>
			Regular	E	1.94	1.81	1.00	0.87	0.33	0.26	0.65	0.54	0.93	0.86	0.39	0.35
7/16	0.4375	14 & 20	Light	E	<b>1.94</b>	<b>1.81</b>	<b>1.00</b>	<b>0.87</b>	<b>0.33</b>	<b>0.26</b>	<b>0.65</b>	<b>0.54</b>	<b>0.93</b>	<b>0.86</b>	<b>0.39</b>	<b>0.35</b>
			Heavy	F	2.76	2.62	1.44	1.31	0.40	0.34	0.90	0.80	1.19	1.13	0.55	0.51
1/2	0.5000	13 & 20	Light	E	<b>1.94</b>	<b>1.81</b>	<b>1.00</b>	<b>0.87</b>	<b>0.33</b>	<b>0.26</b>	<b>0.65</b>	<b>0.54</b>	<b>0.93</b>	<b>0.86</b>	<b>0.39</b>	<b>0.35</b>
			Heavy	F	2.76	2.62	1.44	1.31	0.40	0.34	0.90	0.80	1.19	1.13	0.55	0.51
9/16	0.5825	12 & 18	Heavy	F	2.76	2.62	1.44	1.31	0.40	0.34	0.90	0.80	1.19	1.13	0.55	0.51
5/8	0.6250	11 & 18	Heavy	F	2.76	2.62	1.44	1.31	0.40	0.34	0.90	0.80	1.19	1.13	0.55	0.51
3/4	0.7500	10 & 16	Heavy	F	2.76	2.62	1.44	1.31	0.40	0.34	0.90	0.80	1.19	1.13	0.55	0.51



### HEX SLOTTED NUTS



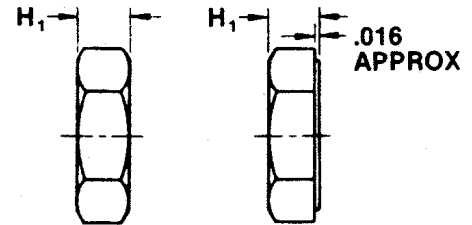
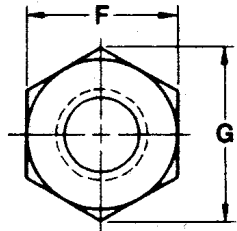
**Dimensions of Hex Slotted Nuts**

Nominal Size or Basic Major Diameter of Thread		F			G		H			T		S		Runout of Bearing Surface FIM
		Width Across Flats			Width Across Corners		Thickness			Unslotted Thickness		Width of Slot		
		Basic	Max	Min	Max	Min	Basic	Max	Min	Max	Min	Max	Min	
1/4	0.2500	7/16	0.438	0.428	0.505	0.488	7/32	0.226	0.212	0.14	0.12	0.10	0.07	0.015
5/16	0.3125	1/2	0.500	0.489	0.577	0.557	17/64	0.273	0.258	0.18	0.16	0.12	0.09	0.016
3/8	0.3750	9/16	0.562	0.551	0.650	0.625	21/64	0.337	0.320	0.21	0.19	0.15	0.12	0.018
7/16	0.4375	11/16	0.688	0.675	0.794	0.768	3/8	0.385	0.365	0.23	0.21	0.15	0.12	0.018
1/2	0.5000	3/4	0.750	0.736	0.866	0.840	7/16	0.448	0.427	0.29	0.27	0.18	0.15	0.019
9/16	0.5625	7/8	0.875	0.861	1.010	0.982	31/64	0.496	0.473	0.31	0.29	0.18	0.15	0.020
5/8	0.6250	15/16	0.938	0.922	1.083	1.051	35/64	0.559	0.535	0.34	0.32	0.24	0.18	0.021
3/4	0.7500	1-1/8	1.125	1.088	1.299	1.240	41/64	0.665	0.617	0.40	0.38	0.24	0.18	0.023
7/8	0.8750	1-5/16	1.312	1.269	1.516	1.447	3/4	0.776	0.724	0.52	0.49	0.24	0.18	0.025
1	1.0000	1-1/2	1.500	1.450	1.732	1.653	55/64	0.887	0.831	0.59	0.56	0.30	0.24	0.027
1-1/8	1.1250	1-11/16	1.688	1.631	1.949	1.859	31/32	0.999	0.939	0.64	0.61	0.33	0.24	0.030
1-1/4	1.2500	1-7/8	1.875	1.812	2.165	2.066	1-1/16	1.094	1.030	0.70	0.67	0.40	0.31	0.033
1-3/8	1.3750	2-1/16	2.062	1.994	2.382	2.273	1-11/64	1.206	1.138	0.82	0.78	0.40	0.31	0.036
1-1/2	1.5000	2-1/4	2.250	2.175	2.598	2.480	1-9/32	1.317	1.245	0.86	0.82	0.46	0.37	0.039

*Available in NC Threads only.*



## HEX JAM NUTS

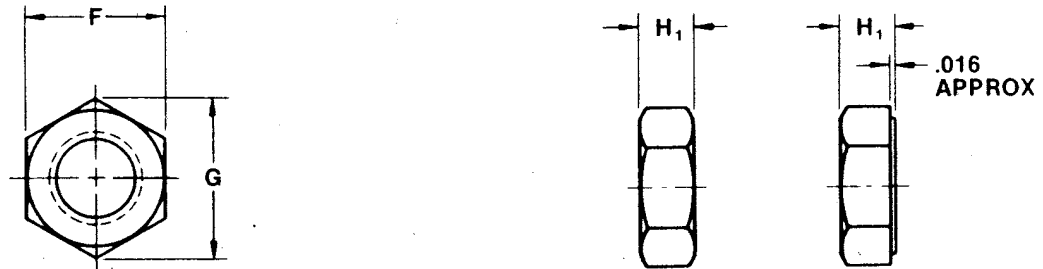


**Dimensions of Hex Jam Nuts**

Nominal Size or Basic Major Diameter of Thread		F			G		H <sub>1</sub>			Runout of Bearing Face, up to 150,000 psi proofload
		Width Across Flats			Width Across Corners		Thickness Hex Jam Nuts			
		Basic	Max	Min	Max	Min	Basic	Max	Min	
1/4	0.2500	7/16	0.438	0.428	0.505	0.488	5/32	0.163	0.150	0.015
5/16	0.3125	1/2	0.500	0.489	0.577	0.557	3/16	0.195	0.180	0.016
3/8	0.3750	9/16	0.562	0.551	0.650	0.628	7/32	0.227	0.210	0.017
7/16	0.4375	11/16	0.688	0.675	0.794	0.768	1/4	0.260	0.240	0.018
1/2	0.5000	3/4	0.750	0.736	0.866	0.840	5/16	0.323	0.302	0.019
9/16	0.5625	7/8	0.875	0.861	1.010	0.982	5/16	0.324	0.301	0.020
5/8	0.6250	15/16	0.938	0.922	1.083	1.051	3/8	0.387	0.363	0.021
3/4	0.7500	1-1/8	1.125	1.088	1.299	1.240	27/64	0.446	0.398	0.023
7/8	0.8750	1-5/16	1.312	1.269	1.516	1.447	31/64	0.510	0.458	0.025
1	1.0000	1-1/2	1.500	1.450	1.732	1.653	35/64	0.575	0.519	0.027
1-1/8	1.1250	1-11/16	1.688	1.631	1.949	1.859	39/64	0.639	0.579	0.030
1-1/4	1.2500	1-7/8	1.875	1.812	2.165	2.066	23/32	0.751	0.687	0.033
1-3/8	1.3750	2-1/16	2.062	1.994	2.382	2.273	25/32	0.815	0.747	0.036
1-1/2	1.5000	2-1/4	2.250	2.175	2.598	2.480	27/32	0.880	0.808	0.039



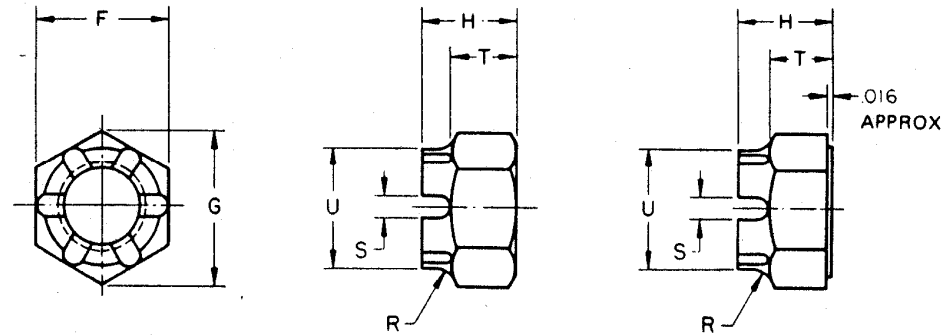
## HEAVY HEX JAM NUTS



**Dimensions of Heavy Hex Jam Nuts**

Nominal Size or Basic Major Diameter of Thread		F			G		H <sub>1</sub>			Runout of Bearing Face, up to 150,000 psi proofload
		Width Across Flats			Width Across Corners		Thickness Hex Jam Nuts			
		Basic	Max	Min	Max	Min	Basic	Max	Min	
1/4	0.2500	1/2	.0500	0.488	0.577	0.556	11/64	0.188	0.156	0.017
5/16	0.3125	9/16	0.562	0.546	0.650	0.622	13/64	0.220	0.186	0.020
3/8	0.3750	11/16	0.688	0.669	0.794	0.763	15/64	0.252	0.216	0.021
7/16	0.4375	3/4	0.750	0.728	0.866	0.830	17/64	0.285	0.247	0.022
1/2	0.5000	7/8	0.875	0.850	1.010	0.969	19/64	0.317	0.277	0.023
9/16	0.5625	15/16	0.938	0.909	1.083	1.037	21/64	0.349	0.307	0.024
5/8	0.6250	1-1/16	1.062	1.031	1.227	1.175	23/64	0.381	0.337	0.025
3/4	0.7500	1-1/4	1.250	1.212	1.443	1.382	27/64	0.446	0.398	0.027
7/8	0.8750	1-7/16	1.438	1.394	1.660	1.589	31/64	0.510	0.458	0.029
1	1.0000	1-5/8	1.625	1.575	1.876	1.796	35/64	0.575	0.519	0.031
1-1/8	1.1250	1-13/16	1.812	1.756	2.093	2.002	39/64	0.639	0.579	0.033
1-1/4	1.2500	2	2.000	1.938	2.309	2.209	23/32	0.751	0.687	0.035
1-3/8	1.3750	2-3/16	2.188	2.119	2.526	2.416	25/32	0.815	0.747	0.038
1-1/2	1.5000	2-3/8	2.375	2.300	2.742	2.622	27/32	0.880	0.808	0.041
1-5/8	1.6250	2-9/16	2.562	2.481	2.959	2.828	29/32	0.944	0.868	0.044
1-3/4	1.7500	2-3/4	2.750	2.662	3.175	3.035	31/32	1.009	0.929	0.048
1-7/8	1.8750	2-15/16	2.938	2.844	3.392	3.242	1-1/32	1.073	0.989	0.051
2	2.0000	3-1/8	3.125	3.025	3.608	3.449	1-3/32	1.138	1.050	0.055
2-1/4	2.2500	3-1/2	3.500	3.388	4.041	3.862	1-13/64	1.251	1.155	0.061
2-1/2	2.5000	3-7/8	3.875	3.750	4.474	4.275	1-29/64	1.505	1.401	0.068
2-3/4	2.7500	4-1/4	4.250	4.112	4.907	4.688	1-37/64	1.634	1.522	0.074
3	3.0000	4-5/8	4.625	4.475	5.340	5.102	1-45/64	1.763	1.643	0.081
3-1/4	3.2500	5	5.000	4.838	5.774	5.515	1-13/16	1.876	1.748	0.087
3-1/2	3.5000	5-3/8	5.375	5.200	6.207	5.928	1-15/16	2.006	1.870	0.094
3-3/4	3.7500	5-3/4	5.750	5.562	6.640	6.341	2-1/16	2.134	1.990	0.100
4	4.0000	6-1/8	6.125	5.925	7.073	6.755	2-3/16	2.264	2.112	0.107

### HEX CASTLE NUTS



Nominal Size or Basic Major Diameter of Thread	F			G		H			T			S		R	U	Runout of Bearing Surface FIR
	Width Across Flats			Width Across Corners		Thickness			Unslotted Thickness and Height of Flats			Width of Slot		Radius of Fillet	Dia of Cylindrical Part	
	Basic	Max	Min	Max	Min	Basic	Max	Min	Nom	Max	Min	Max	Min	±.010	Min	Max
1/4 0.2500	7/16	0.438	0.428	0.505	0.488	9/32	0.288	0.274	3/16	0.20	0.18	0.10	0.07	0.094	0.371	0.015
5/16 0.3125	1/2	0.500	0.489	0.577	0.557	21/64	0.336	0.320	15/64	0.24	0.22	0.12	0.09	0.094	0.425	0.016
3/8 0.3750	9/16	0.562	0.551	0.650	0.628	13/32	0.415	0.398	9/32	0.29	0.27	0.15	0.12	0.094	0.478	0.017
7/16 0.4375	11/16	0.688	0.675	0.794	0.768	29/64	0.463	0.444	19/64	0.31	0.29	0.15	0.12	0.094	0.582	0.018
1/2 0.5000	3/4	0.750	0.736	0.866	0.840	9/16	0.573	0.552	13/32	0.42	0.40	0.18	0.15	0.125	0.637	0.019
9/16 0.5625	7/8	0.875	0.861	1.010	0.982	39/64	0.621	0.598	27/64	0.43	0.41	0.18	0.15	0.156	0.744	0.020
5/8 0.6250	15/16	0.938	0.922	1.083	1.051	23/32	0.731	0.706	1/2	0.51	0.49	0.24	0.18	0.156	0.797	0.021
3/4 0.7500	1-1/8	1.125	1.088	1.299	1.240	13/16	0.827	0.798	9/16	0.57	0.55	0.24	0.18	0.188	0.941	0.023
7/8 0.8750	1-5/16	1.312	1.269	1.516	1.447	29/32	0.922	0.890	21/32	0.67	0.64	0.24	0.18	0.188	1.097	0.025
1 1.0000	1-1/2	1.500	1.450	1.732	1.653	1	1.018	0.982	23/32	0.73	0.70	0.30	0.24	0.188	1.254	0.027
1-1/8 1.1250	1-11/16	1.688	1.631	1.949	1.859	1-5/32	1.176	1.136	13/16	0.83	0.80	0.33	0.24	0.250	1.411	0.030
1-1/4 1.2500	1-7/8	1.875	1.812	2.165	2.066	1-1/4	1.272	1.228	7/8	0.89	0.86	0.40	0.31	0.250	1.570	0.033
1-3/8 1.3750	2-1/16	2.062	1.994	2.382	2.273	1-3/8	1.399	1.351	1	1.02	0.98	0.40	0.31	0.250	1.726	0.036
1-1/2 1.5000	2-1/4	2.250	2.175	2.598	2.480	1-1/2	1.526	1.474	1-1/16	1.08	1.04	0.46	0.37	0.250	1.881	0.039

Available in NF Threads Only

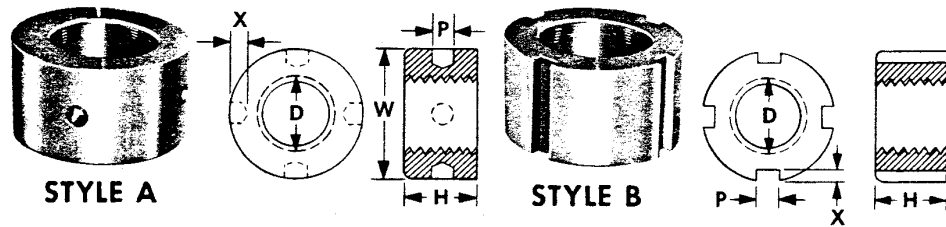




## LARGE DIAMETER HEXAGON HEAD CAP NUTS

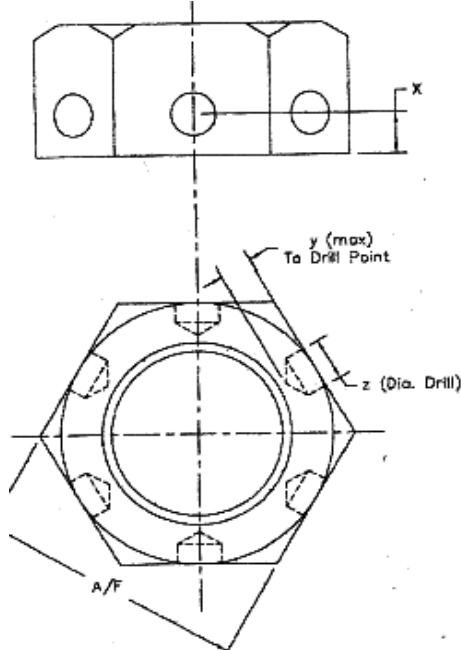
Size Inches	Basic Dimensions Inches							Weight Lbs
	Thread Dia	Nut Dia	Height	Thread Length	Hex Width Across Flats	Hex Height	Base Height	
<b>D</b>	<b>OD</b>	<b>H</b>	<b>L</b>	<b>W</b>	<b>E</b>	<b>B</b>	<b>F</b>	Each
<b>1-3/4</b>	2-5/8	4	1-3/4	1-1/4	3/4	3-1/4	3/4	4.2
<b>1-7/8</b>	2-7/8	4-3/8	1-7/8	1-7/16	7/8	2-1/2	7/8	5.2
<b>2</b>	3	4-3/4	2	1-5/8	1	3-3/4	1	5.9
<b>2-1/4</b>	3-3/8	5-1/4	2-1/4	2	1-1/4	4	1-1/4	7.8
<b>2-1/2</b>	3-3/4	5-3/4	2-1/2	2-3/8	1-1/2	4-1/4	1-1/2	10.1
<b>2-3/4</b>	4-1/8	6-1/4	2-3/4	2-3/4	1-3/4	4-1/2	1-3/4	13.5
<b>3</b>	4-1/2	6-3/4	3	3-1/8	2	4-3/4	2	17.7
<b>3-1/4</b>	4-7/8	7-1/4	3-1/4	3-1/2	2-1/4	5	2-1/4	22.6
<b>3-1/2</b>	5-1/4	7-3/4	3-1/2	3-7/8	2-1/2	5-1/4	2-1/2	28.4
<b>3-3/4</b>	5-3/4	8-1/4	3-3/4	4-1/4	2-3/4	5-1/2	2-3/4	37.0
<b>4</b>	6	8-3/4	4	4-5/8	3	5-3/4	3	43.1
<b>4-1/4</b>	6-1/4	9-1/4	4-1/4	5	3-1/4	6	3-1/4	49.9
<b>4-1/2</b>	6-3/4	10	4-1/2	5-3/8	3-1/2	6-1/2	3-1/2	64.8
<b>4-3/4</b>	7-1/8	10-1/2	4-3/4	5-3/4	3-3/4	6-3/4	3-3/4	76.5

### ROUND SPANNER NUTS



Size	Tapped			Blank	Basic Dimensions				
Inches	Class 2-B				Inches				
Thread Dia D	Threads per Inch	Weight Each	Keg Qty	Weight Each	D	W	H	P	X
1-3/4	5-8-12	1.4	142	1.6	1-3/4	2-5/8	1-5/8	3/8	3/16
1-7/8	5-8-12	1.7	117	1.9	1-7/8	2-13/16	1-3/4	3/8	3/16
2	4-1/2-6-8-12	2.3	87	2.5	2	3	1-7/8	3/8	3/16
2-1/4	4-1/2-6-8-12	3.2	62	3.4	2-1/4	3-3/8	2-1/8	1/2	1/4
2-1/2	4-6-8-12	4.4	45	4.8	2-1/2	3-3/4	2-3/8	1/2	1/4
2-3/4	4-6-8	6.0	40	6.4	2-3/4	4-1/8	2-5/8	1/2	1/4
3	3-1/2-4-6-8	7.9	25	8.4	3	4-1/2	2-7/8	1/2	1/4
3-1/4	3-1/2-4-6-8	9.7	20	10.3	3-1/4	4-7/8	3-1/8	1/2	1/4
3-1/2	3-1/4-4-6-8	12.4	16	13.1	3-1/2	5-1/4	3-3/8	1/2	5-16
3-3/4	4-6-8	15.1	13	15.9	3-3/4	5-5/8	3-5/8	5/8	5/16
4	3-4-6-8	18.3	10	19.2	4	6	3-7/8	5/8	5/16
4-1/4	4-6-8	21.6	9	22.5	4-1/4	6-3/8	4-1/8	5/8	3/8
4-1/2	2-3/4-4-6-8	24.8	8	25.8	4-1/2	6-3/4	4-3/8	5/8	3/8
4-3/4	4-6-8	30.2	6	31.4	4-3/4	7-1/8	4-5/8	5/8	3/8
5	2-1/2-4-6-8	35.0	6	36.4	5	7-1/2	4-7/8	5/8	3/8
5-1/4	2-1/2-4-6-8	41.0	5	42.5	5-1/4	7-7/8	5-1/8	3/4	3/8
5-1/2	4-6-8	46.0	4	47.7	5-1/2	8-1/4	5-3/8	3/4	3/8
5-3/4	4-6-8	56.0	3	57.8	5-3/4	8-5/8	5-5/8	3/4	3/8
6	2-1/4-4-6-8	62.0	3	64.0	6	9	5-7/8	3/4	3/8

### Heavy Hex Nuts with Tommy Bar Holes



DASH NO.	NOMINAL THREAD DIA.	A/F*	X	Y	Z	Tommy Bar Size
-1	3/4" (19.05)	1.250 (31.75)	.384 (9)	.197 (5)**	.244 (6.2)	.236 (6)
-2	7/8" (22.23)	1.437 (36.50)	.354 (9)	.197 (5)**	.244 (6.2)	.236 (6)
-3	1" (25.4)	1.625 (41.28)	.364 (9)	.236 (6)**	.244 (6.2)	.236 (6)
-4	1 1/8" (28.58)	1.812 (46.02)	.354 (9)	.236 (6)**	.244 (6.2)	.236 (6)
-5	1 1/4" (31.75)	2.000 (50.8)	.472 (12)	.236 (6)**	.323 (8.2)	.315 (8)
-6	1 3/8" (34.93)	2.187 (55.55)	.472 (12)	.315 (8)**	.323 (8.2)	.315 (8)
-7	1 1/2" (38.10)	2.375 (60.33)	.591 (15)	.354 (9)	.402 (10.2)	.394 (10)
-8	1 5/8" (41.28)	2.562 (65.07)	.591 (15)	.354 (9)	.402 (10.2)	.394 (10)
-9	1 3/4" (44.45)	2.750 (69.85)	.591 (15)	.394 (10)	.402 (10.2)	.394 (10)
-10	1 7/8" (47.63)	2.937 (74.60)	.591 (15)	.394 (10)	.402 (10.2)	.394 (10)
-11	2" (50.8)	3.125 (79.38)	.706 (18)	.472 (12)	.488 (12.4)	.472 (12)
-12	2 1/4" (57.15)	3.500 (88.9)	.706 (18)	.472 (12)	.488 (12.4)	.472 (12)
-13	2 1/2" (63.5)	3.875 (98.43)	.826 (21)	.551 (14)	.567 (14.4)	.472 (12)
-14	2 3/4" (68.85)	4.250 (107.95)	.826 (21)	.551 (14)	.567 (14.4)	.472 (12)
-15	3" (76.2)	4.625 (117.48)	.945 (24)	.630 (16)	.646 (16.4)	.630 (16)
-16	3 1/4" (82.55)	5.000 (127.00)	.945 (24)	.670 (17)	.646 (16.4)	.630 (16)
-17	3 1/2" (88.9)	5.375 (136.53)	.945 (24)	.709 (18)	.646 (16.4)	.630 (16)
-18	3 3/4" (95.25)	5.750 (146.05)	.945 (24)	.709 (18)	.646 (16.4)	.630 (16)
-19	4" (101.6)	6.125 (155.58)	.945 (24)	.709 (18)	.646 (16.4)	.630 (16)

NOTES:  
 \* WIDTH ACROSS FLAT  
 \*\* USE FLAT BOTTOM DRILL